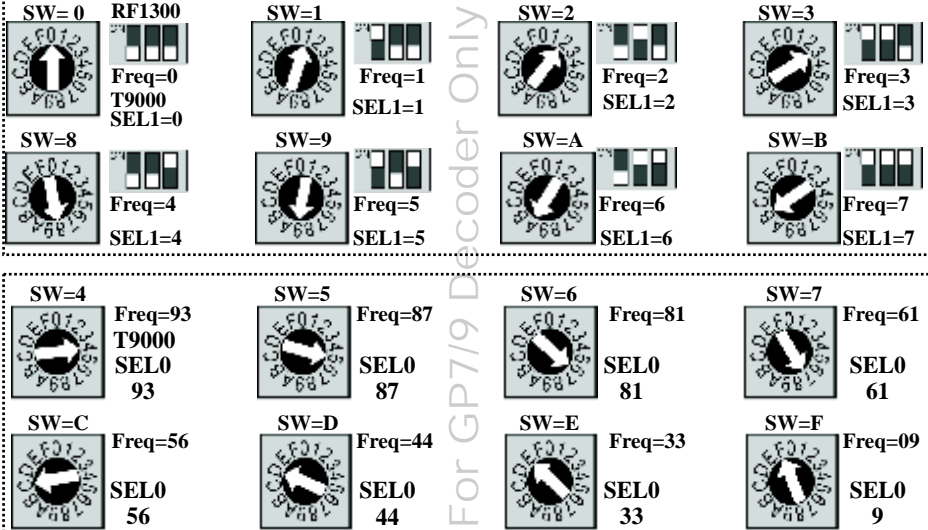


Corrections to the Drop-In Users Guide

Page 7: Due to error on the GP7/9 Drop-In decoder, the rotary frequency selector switch is wired incorrectly. Use the drawing below to select the desired frequency. The one shown in the users guide is incorrect for the GP7/9 Drop-In decoder.



Corrections to the Drop-In Users Guide - continued

Page 17: Making Connections

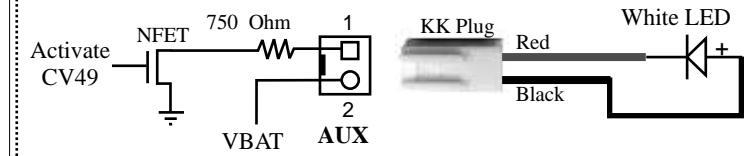
We offer a 2-wire plug with 12 inches of wire that matches the decoder's AUX header. The part number is KK2. Use this plug to connect the Drop-In decoder's AUX output to an LED.



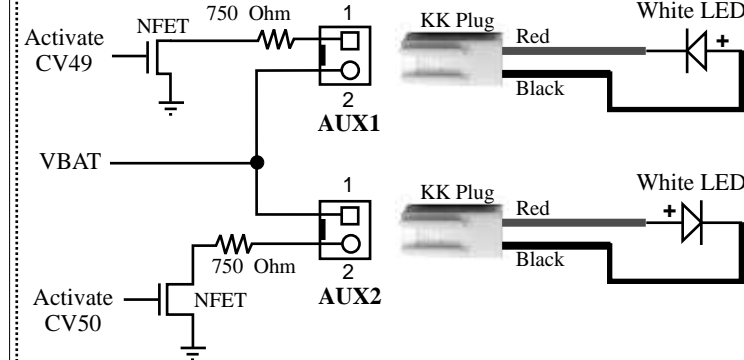
The plug is polarized. Use the drawings below [paste into page 18 to determine the plus and minus wire assignments. The polarity assignments are not the same on all Drop-In locomotives.

Page 18: Corrected AUX plug wiring pictures Cut the drawing below and paste it in your manual over the old figures on page 18.

F3A/B, GP7/9, SD40-2, SD70MAC



GP30



Note that LED orientation is different depending on which AUX output is used

GP38

