

**CVP's 2nd Generation AirWire900<sup>®</sup> Motion Decoder**

# The G2<sup>™</sup>

**More Powerful**

**More Reliable**

**More Features**

**More Flexibility**

**More Control**



**AIRWIRE<sup>®</sup>**  
**900**

- Works with all battery packs
- High power, protected outputs
- Cruise-control mode
- Compatible with DCC sound decoders
- Works with all AirWire900<sup>®</sup> throttles
- Supersonic motor drive
- Based on NMRA-DCC Standards
- Same great price

# Many New Features and Capabilities

## Long Range Receiver

High Sensitivity  
8 Selectable Frequencies  
External Antenna Option

## Customized Performance

10 Different Features  
Easy To Select or Change  
Stored Internally

## Silent Motor Drive

24KHz Pulse Power  
Selectable Cruise Control  
Fully Protected



## Easily Split Board

Sockets Pre-Installed  
Optional Split-PCB Kit  
No Soldering

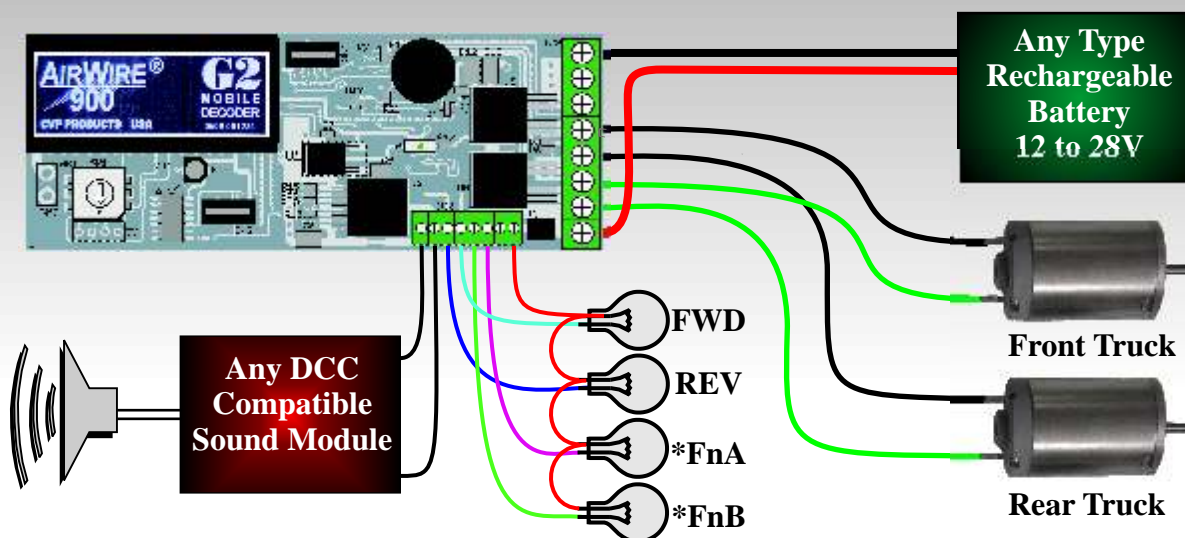
## Auxiliary DCC Output

3 AMPS Continuous  
Fully Protected  
No Need For Split Supply

## Two Function Outputs

1 AMP Each  
Fully Protected  
Map To Any Function Key

## G2 Decoder Hookup Diagram



\* May be any type of load up to 1 Amp and assigned to any throttle function key

**\$149**  
**Suggested List Price**

Available Direct Or From Your AirWire900 Dealer

G2, AirWire, AirWire900 And The AirWire Symbol Are Registered Trademarks Of CVP Products